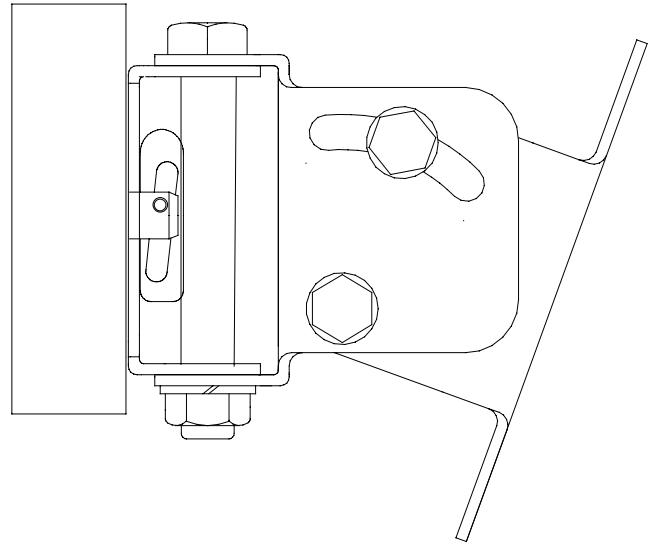
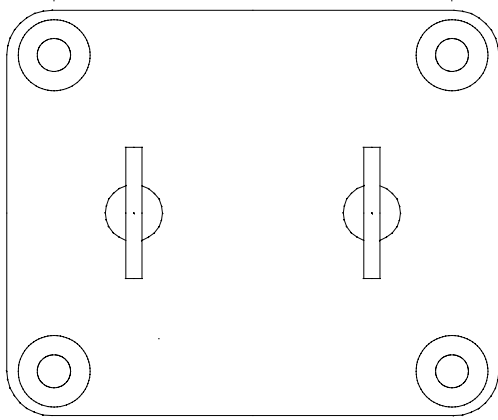


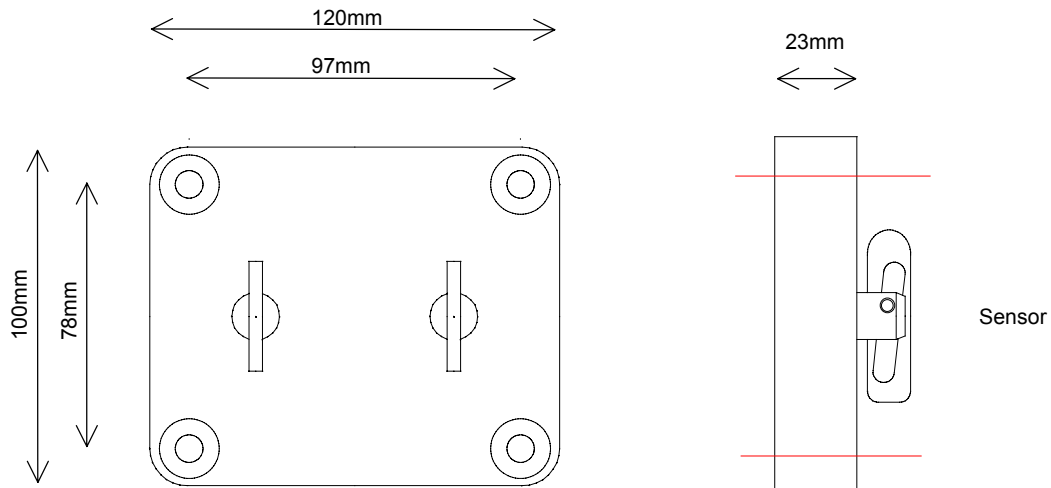
007296 Electrical Isolation Mount for Adjustable Brackets



Features

- Stainless Steel Quick Release Antiluce Fasteners
- Marine Grade Isolation Material (orkot)

Mounting Arrangement



Mount using M8 countersunk socket screws.
(supplied by others)

2off – antiluce fasteners
4off – 9mm fixing holes